

Seminar Title

A Seminar Report

*Submitted to the APJ Abdul Kalam Technological University
in partial fulfillment of requirements for the award of degree*

Bachelor of Technology

in

Electronics and Communication Engineering

by

STUDENT NAME

AWH20EC0XX



DEPARTMENT OF ELECTRONICS AND COMMUNICATION ENGINEERING

AWH ENGINEERING COLLEGE

Kozhikode

October 2023

**DEPARTMENT OF ELECTRONICS & COMMUNICATION ENGINEERING
AWH ENGINEERING COLLEGE, KOZHIKODE**

2023 - 2024



CERTIFICATE

This is to certify that the report entitled **Seminar Title** submitted by **STUDENT NAME** (AWH20EC0XX), to the APJ Abdul Kalam Technological University in partial fulfillment of the B.Tech. degree in Electronics and Communication Engineering is a bonafide record of the seminar work carried out by him under our guidance and supervision. This report in any form has not been submitted to any other University or Institute for any purpose.

Prof. Seminar guide
(Seminar Guide)
Assistant Professor
Dept.of ECE
AWH Engineering College
Kozhikode

Prof. Joaquim Ignatious M.
(Seminar Coordinator)
Assistant Professor
Dept.of ECE
AWH Engineering College
Kozhikode

Dr. Santhosh Kumar S.
Professor and Head
Dept.of ECE
AWH Engineering College
Kozhikode

DECLARATION

I **STUDENT NAME** hereby declare that the seminar report **Seminar Title** , submitted for partial fulfillment of the requirements for the award of degree of Bachelor of Technology of the APJ Abdul Kalam Technological University, Kerala is a bonafide work done by me under supervision of Prof. Seminar guide

This submission represents my ideas in my own words and where ideas or words of others have been included, I have adequately and accurately cited and referenced the original sources.

I also declare that I have adhered to ethics of academic honesty and integrity and have not misrepresented or fabricated any data or idea or fact or source in my submission. I understand that any violation of the above will be a cause for disciplinary action by the institute and/or the University and can also evoke penal action from the sources which have thus not been properly cited or from whom proper permission has not been obtained. This report has not been previously formed the basis for the award of any degree, diploma or similar title of any other University.

Kozhikode
21-11-2020

STUDENT NAME

Abstract

This document contains essential templates required to write technical reports using \LaTeX . This template may be used for the preparation of B.Tech seminar reports of APJ Abdul Kalam Technological University, Kerala. Also minimum working examples to create equations, include figure, include table, table of contents symbols list and bibliographic citation in a \LaTeX document are provided.

JIM

Acknowledgement

I take this opportunity to express my deepest sense of gratitude and sincere thanks to everyone who helped me to complete this work successfully. I express my sincere thanks to **Dr. Santhosh Kumar S.**, Head of Department, Electronics and Communication Engineering, AWH Engineering College Kozhikode for providing me with all the necessary facilities and support.

I would like to express my sincere gratitude to **Prof. Joaquim Ignatious M.** and **Prof. Seminar coordinator 2**, department of Electronics and Communication Engineering, AWH Engineering College Kozhikode for their support and co-operation.

I would like to place on record my sincere gratitude to my seminar guide **Prof. Seminar guide**, Assistant Professor, Electronics and Communication Engineering, AWH Engineering College for the guidance and mentorship throughout the course.

Finally I thank my family, and friends who contributed to the successful fulfilment of this seminar work.

STUDENT NAME

Contents

Abstract	i
Acknowledgement	ii
List of Figures	iv
List of Tables	v
List of Symbols	vi
1 Introduction	1
2 Literature Review	2
2.1 section1	2
2.1.1 title 2	3
3 Results	4
4 Conclusion	6
References	7

List of Figures

2.1	Autonomous System Hierarchy	2
2.2	The Sine and Cosine waves	3

List of Tables

3.1	test table	5
-----	----------------------	---

List of Symbols

Ω Unit of Resistance

ε' Real part of dielectric constant

c Speed of light

λ Wavelength

δ Delta

Chapter 1

Introduction

Lorem ipsum dolor sit amet, consectetur adipiscing elit. Ut purus elit, vestibulum ut, placerat ac, adipiscing vitae, felis. Curabitur dictum gravida mauris. Nam arcu libero, nonummy eget, consectetur id, vulputate a, magna. Donec vehicula augue eu neque. Pellentesque habitant morbi tristique senectus et netus et malesuada fames ac turpis egestas. Mauris ut leo. Cras viverra metus rhoncus sem. Nulla et lectus vestibulum urna fringilla ultrices. Phasellus eu tellus sit amet tortor gravida placerat. Integer sapien est, iaculis in, pretium quis, viverra ac, nunc. Praesent eget sem vel leo ultrices bibendum. Aenean faucibus. Morbi dolor nulla, malesuada eu, pulvinar at, mollis ac, nulla. Curabitur auctor semper nulla. Donec varius orci eget risus. Duis nibh mi, congue eu, accumsan eleifend, sagittis quis, diam. Duis eget orci sit amet orci dignissim rutrum.

Chapter 2

Literature Review

Technical writing is writing or drafting technical communication used in technical and occupational fields [1], such as computer hardware and software [2], engineering, chemistry, aeronautics, robotics, finance [3], medical, consumer electronics, biotechnology, and forestry. Technical writing encompasses the largest sub-field in technical communication. See figure 2.1 that shows the autonomous systems in Internet.

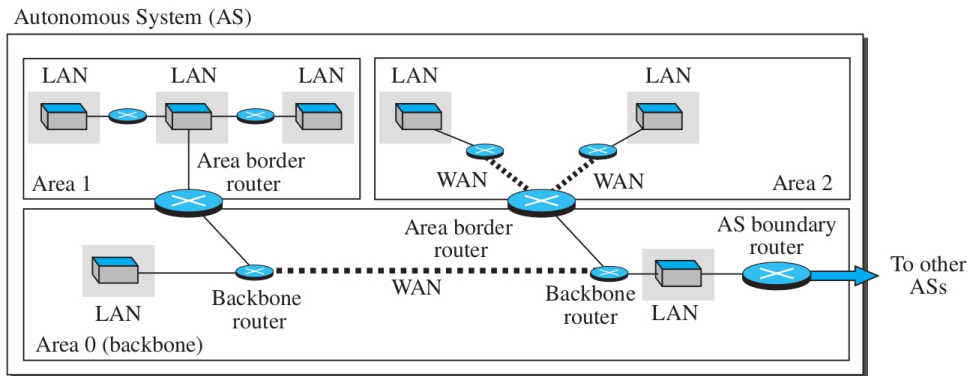


Figure 2.1: Autonomous System Hierarchy

2.1 section1

Nam dui ligula, fringilla a, euismod sodales, sollicitudin vel, wisi. Morbi auctor lorem non justo. Nam lacus libero, pretium at, lobortis vitae, ultricies et, tellus. Donec aliquet, tortor sed accumsan bibendum, erat ligula aliquet magna, vitae ornare odio metus a mi. Morbi ac orci et nisl hendrerit mollis. Suspendisse ut massa. Cras nec ante. Pellentesque a nulla. Cum sociis natoque penatibus et magnis dis parturient montes,

nascetur ridiculus mus. Aliquam tincidunt urna. Nulla ullamcorper vestibulum turpis. Pellentesque cursus luctus mauris.

2.1.1 title 2

Nulla malesuada porttitor diam. Donec felis erat, congue non, volutpat at, tincidunt tristique, libero. Vivamus viverra fermentum felis. Donec nonummy pellentesque ante. Phasellus adipiscing semper elit. Proin fermentum massa ac quam. Sed diam turpis, molestie vitae, placerat a, molestie nec, leo. Maecenas lacinia. Nam ipsum ligula, eleifend at, accumsan nec, suscipit a, ipsum. Morbi blandit ligula feugiat magna. Nunc eleifend consequat lorem. Sed lacinia nulla vitae enim. Pellentesque tincidunt purus vel magna. Integer non enim. Praesent euismod nunc eu purus. Donec bibendum quam in tellus. Nullam cursus pulvinar lectus. Donec et mi. Nam vulputate metus eu enim. Vestibulum pellentesque felis eu massa.

The system is described by the equation 2.1 below. Here y is the ordinate and x is the abscissa , m is the slope and c a constant.

$$y = mx + c \tag{2.1}$$

Page centered and unnumbered multiple equations. The * symbol supresses equation numbering.

$$2x - 5y = 8$$

$$3x + 9y = -12$$

Side by side figures can be created using this environment. See fig 2.2 below.

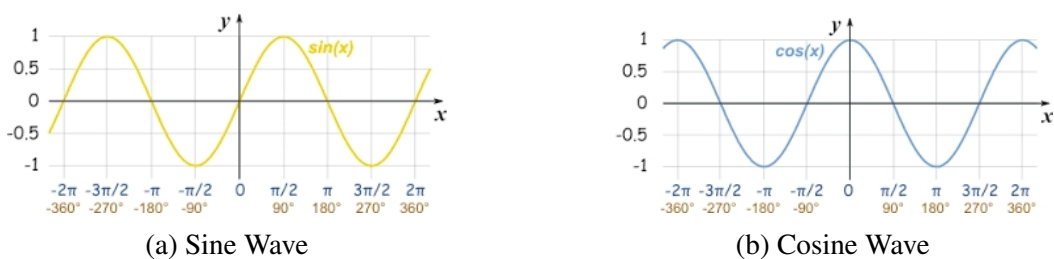


Figure 2.2: The Sine and Cosine waves

Chapter 3

Results

Fusce mauris. Vestibulum luctus nibh at lectus. Sed bibendum, nulla a faucibus semper, leo velit ultricies tellus, ac venenatis arcu wisi vel nisl. Vestibulum diam. Aliquam pellentesque, augue quis sagittis posuere, turpis lacus congue quam, in hendrerit risus eros eget felis. Maecenas eget erat in sapien mattis porttitor. Vestibulum porttitor. Nulla facilisi. Sed a turpis eu lacus commodo facilisis. Morbi fringilla, wisi in dignissim interdum, justo lectus sagittis dui, et vehicula libero dui cursus dui. Mauris tempor ligula sed lacus. Duis cursus enim ut augue. Cras ac magna. Cras nulla. Nulla egestas. Curabitur a leo. Quisque egestas wisi eget nunc. Nam feugiat lacus vel est. Curabitur consectetur.

Suspendisse vel felis. Ut lorem lorem, interdum eu, tincidunt sit amet, laoreet vitae, arcu. Aenean faucibus pede eu ante. Praesent enim elit, rutrum at, molestie non, nonummy vel, nisl. Ut lectus eros, malesuada sit amet, fermentum eu, sodales cursus, magna. Donec eu purus. Quisque vehicula, urna sed ultricies auctor, pede lorem egestas dui, et convallis elit erat sed nulla. Donec luctus. Curabitur et nunc. Aliquam dolor odio, commodo pretium, ultricies non, pharetra in, velit. Integer arcu est, nonummy in, fermentum faucibus, egestas vel, odio.

Sed commodo posuere pede. Mauris ut est. Ut quis purus. Sed ac odio. Sed vehicula hendrerit sem. Duis non odio. Morbi ut dui. Sed accumsan risus eget odio. In hac habitasse platea dictumst. Pellentesque non elit. Fusce sed justo eu urna porta tincidunt. Mauris felis odio, sollicitudin sed, volutpat a, ornare ac, erat. Morbi quis dolor. Donec pellentesque, erat ac sagittis semper, nunc dui lobortis purus,

quis congue purus metus ultricies tellus. Proin et quam. Class aptent taciti sociosqu ad litora torquent per conubia nostra, per inceptos hymenaeos. Praesent sapien turpis, fermentum vel, eleifend faucibus, vehicula eu, lacus.

Table 3.1: test table

Sl. No	Item 1	Itm 2
1	37	45
2	42	23
3	47	1
4	52	-21
5	57	-43
6	62	-65
7	67	-87
8	72	-109
9	77	-131
10	82	-153

Chapter 4

Conclusion

Nam dui ligula, fringilla a, euismod sodales, sollicitudin vel, wisi. Morbi auctor lorem non justo. Nam lacus libero, pretium at, lobortis vitae, ultricies et, tellus. Donec aliquet, tortor sed accumsan bibendum, erat ligula aliquet magna, vitae ornare odio metus a mi. Morbi ac orci et nisl hendrerit mollis. Suspendisse ut massa. Cras nec ante. Pellentesque a nulla. Cum sociis natoque penatibus et magnis dis parturient montes, nascetur ridiculus mus. Aliquam tincidunt urna. Nulla ullamcorper vestibulum turpis. Pellentesque cursus luctus mauris.

References

- [1] HU, Yun Chao, et al., *Mobile edge computing?A key technology towards 5G*, ETSI white paper, 2015, vol. 11, no 11, p. 1-16.
- [2] @online Raspberry pi, <https://www.raspberrypi.org/> Online; accessed 10-June-2019
- [3] HU, Yun Chao, et al., *Mobile edge computing?A key technology towards 5G*, ETSI white paper, 2015, vol. 11, no 11, p. 1-16.